

PRINTING AND FITTING SPECIFICATIONS

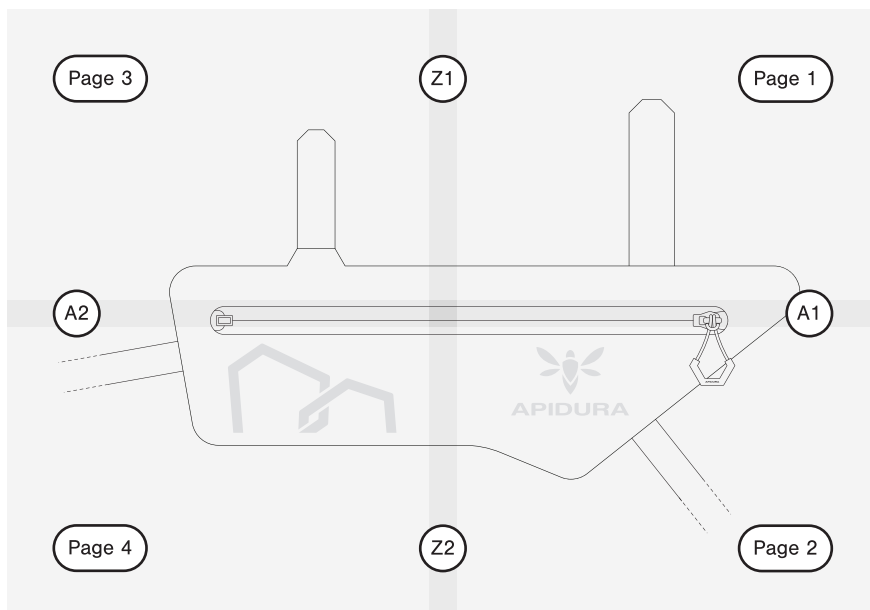
- Print this document on A4 sheets of paper (21 x 29.7cm).
- Ensure you print at 100 % scale.
- Measure both sides of this box to check scale is correct.
- Fit the prints together following the numbering system on the edge of each sheet. Ensure crosses are aligned.
- Tape the sheets together and cut around the Pack's outline
- When fitting this printed template to your bike, keep in mind that the Frame Pack will be more flexible as it is built from fabric.

10cm
3.9in

10cm / 3.9in

.....
Alternative placement
for the velcro strap
.....

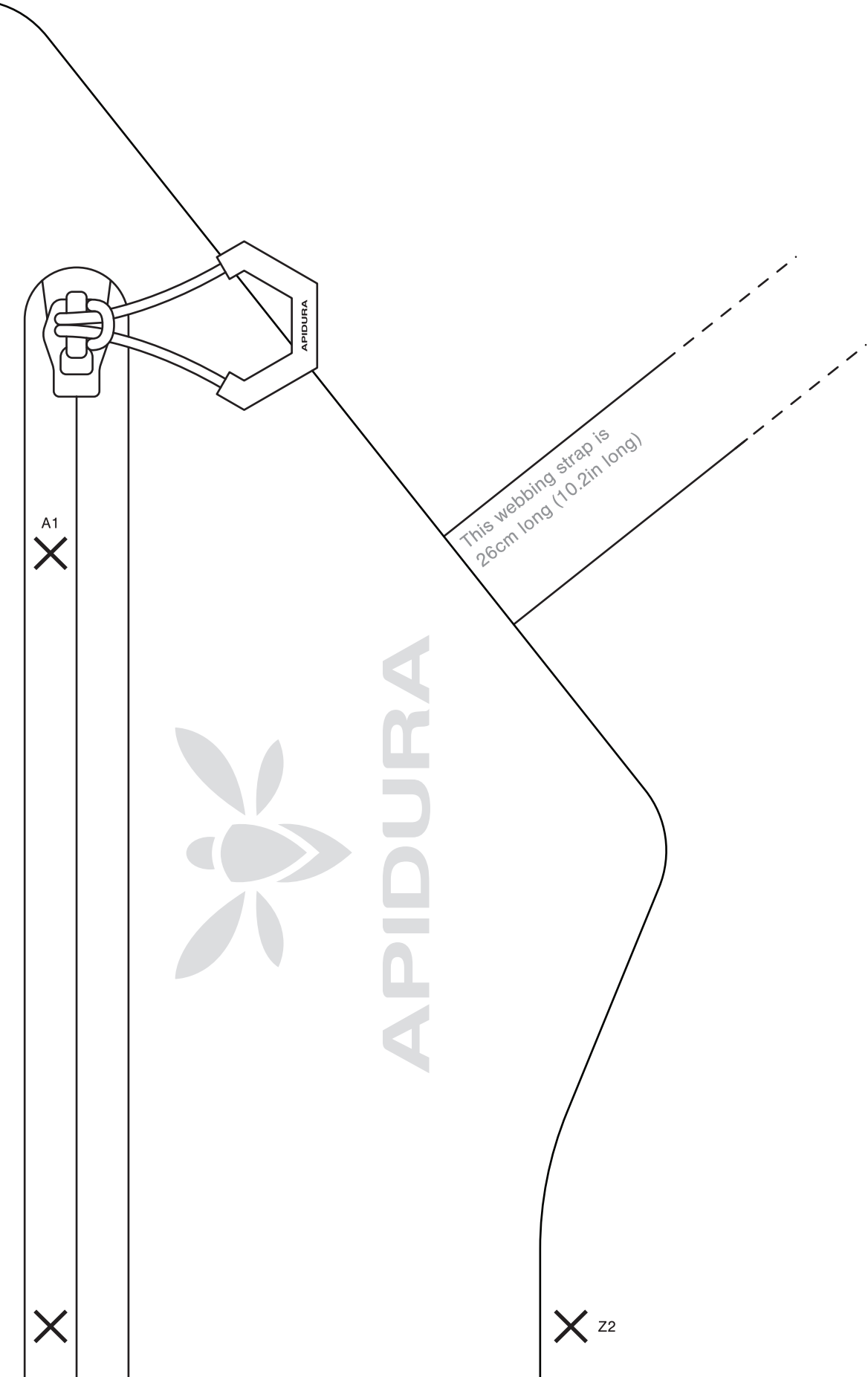
SCALE EXAMPLE OF FINAL TEMPLATE



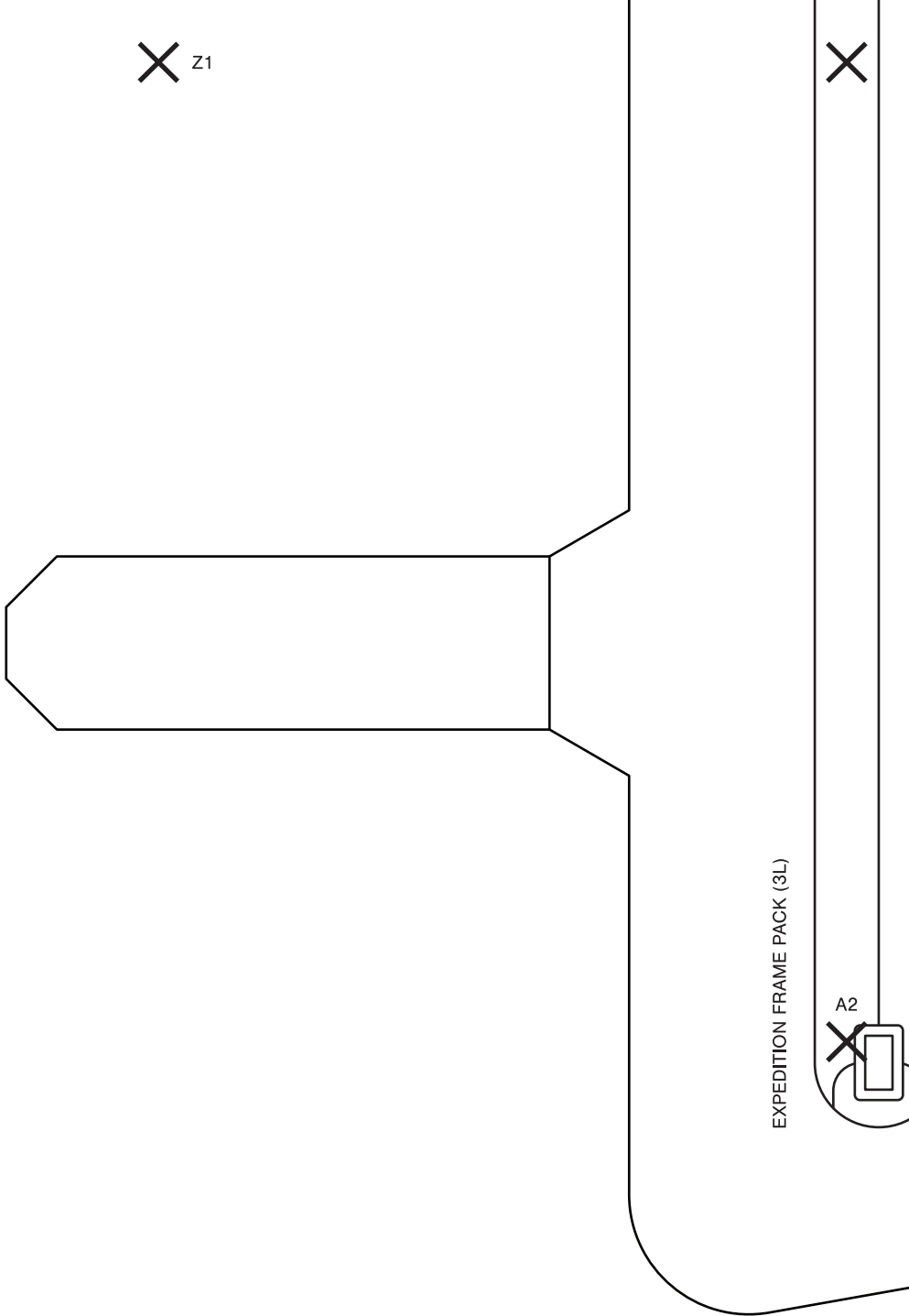
X Z1

A1
X

X



X Z1



EXPEDITION FRAME PACK (3L)

A2



A2



This webbing strap is
21cm long (8.3in long)